

Thule Rapid System - Aerobars 860-863, 869

860/1210-1080

862/1210-1350

869/1210-1270

861/1210-1200

863/1210-1500

5 *års garanti*
years warranty
Jahre Garantie
ans de garantie

Components:

2 load bars.

Materials:

Aluminium extrusion with graduated scale.

Dimensions:

860: 1 080 mm

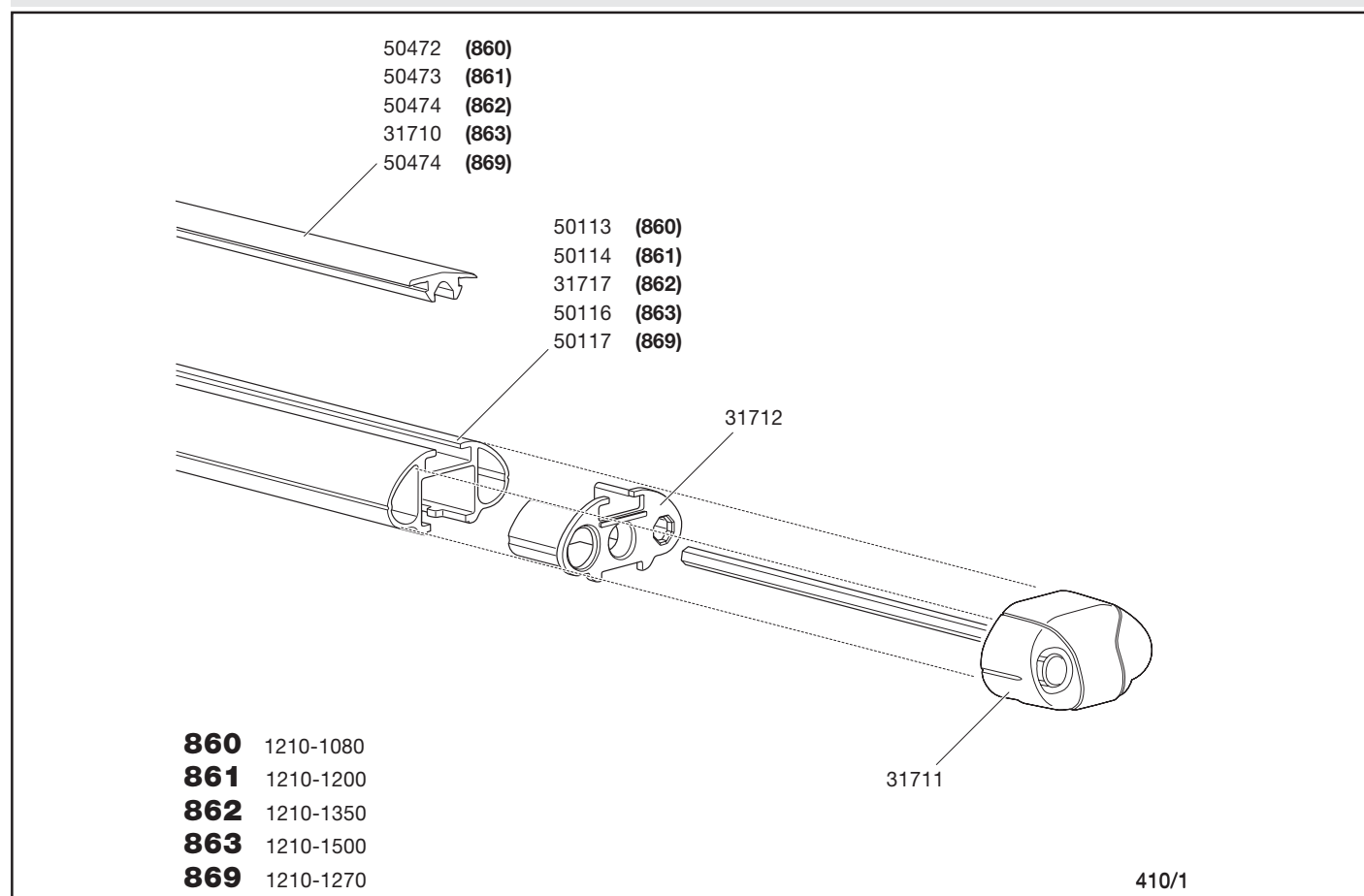
861: 1 200 mm

869: 1 270 mm

862: 1 350 mm

863: 1 500 mm

The final four digits in the Art. No state the length of the bar in mm



Individual packs

| Product | EAN | Kg | L/W/H in cm |
|------------|---------------|-----|-------------|
| 860 | 7313020121088 | 2,5 | 109 |
| 861 | 7313020121208 | 2,8 | 121 |
| 862 | 7313020121352 | 3,1 | 136 |
| 863 | 7313020121505 | 3,3 | 151 |
| 869 | 7313020011561 | 3,0 | 136 |

Pallet

| Product | Qty/kg | L/W/H in cm |
|------------|---------|-------------|
| 860 | 210/545 | 120/80/67 |
| 861 | 210/605 | 133/80/67 |
| 862 | 210/670 | 152/80/67 |
| 863 | 210/710 | 170/80/67 |
| 869 | 210/650 | 152/80/67 |